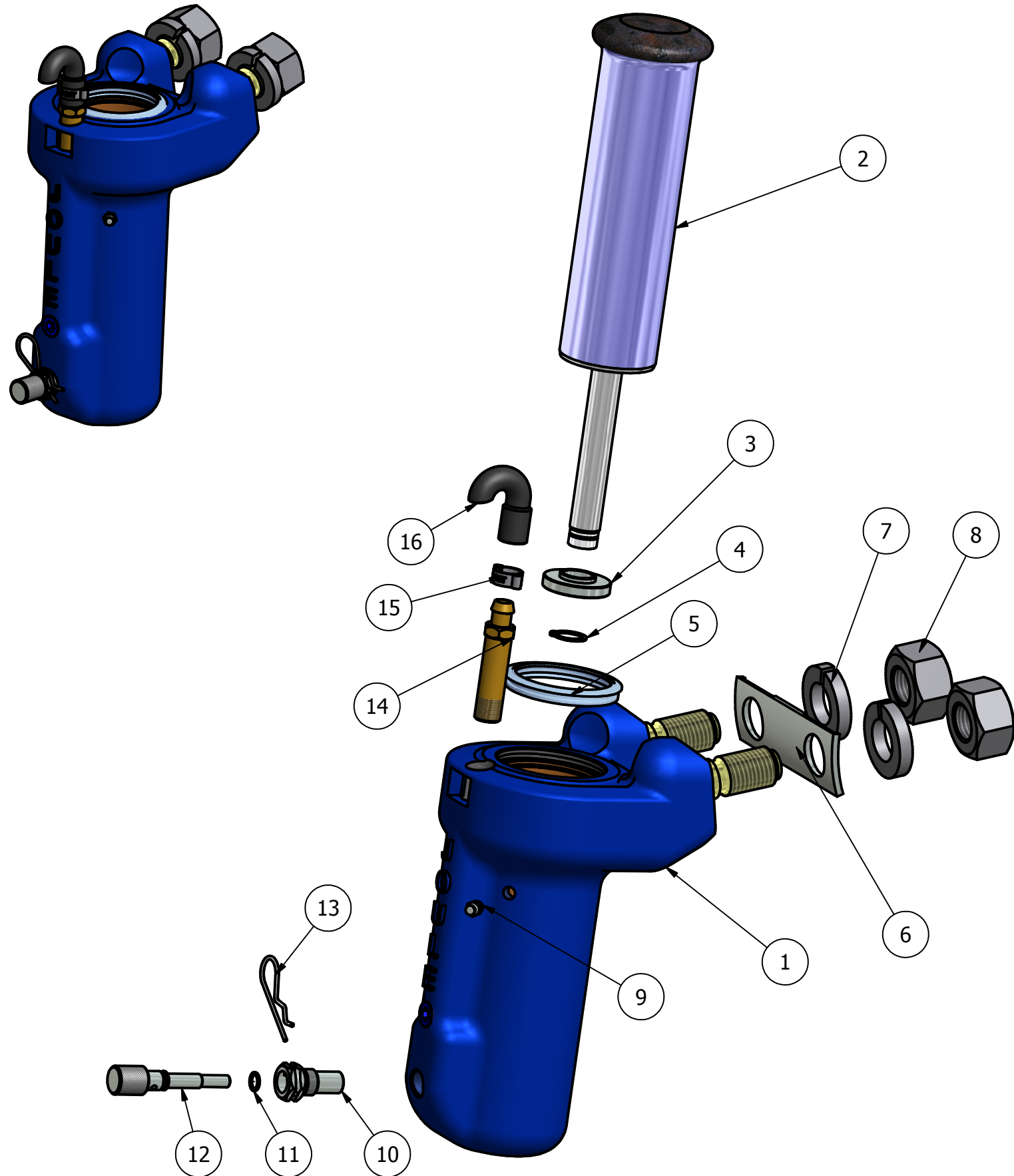
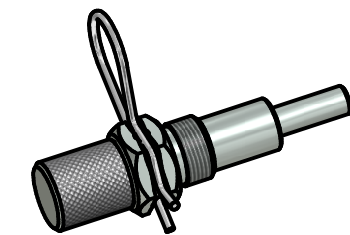


Retarder Pot Assembly - **AB1/---**
 Example: AB1/133 = Pot Assembly for mounting on a 133 lb Rail



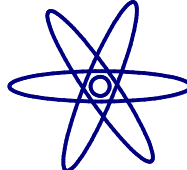
PARTS LIST			
ITEM	QTY	PART NUMBER	DESCRIPTION
1	1	AB1/---	AB Pot Housing w/ Studs
2	1	AB2/--, HC2/--	AB Capsule Assy.
3	1	AB2B14	Retaining collar
4	1	AB2B15	Retaining Collar Snap Ring (S/Steel, 19mm)
5	1	AB108-2	Pot Scraper Blue (Hat Style)
6	1	AB172	Joule Curved Lock Washer Plate
7	2	AB109	M27 Split Lock Washer
8	2	AB110	M27 x 3 Heavy Duty Nut
9	1	AB112	Grease Nipple, 1/8 NPT
10	1	AB128	Retaining Pin Sleeve
11	1	AB129	Retaining Pin O-Ring
12	1	AB127	Retaining Pin
13	1	AB124	Hitch Pin (S/Steel)
14	1	AB130	Snorkel Barb
15	1	AB132	Snorkel Clamp
16	1	AB169	Rubber Snorkel-Short



Quick Release Assembly



Snorkel Assembly

 New Joules Engineering North America	Proprietary and Confidential The information contained in this drawing is the sole property of New Joules Engineering North America and reproduction in part or as a whole without written permission from New Joules Engineering North America is prohibited.
	Description Joul Pot Housing Assembly Parts List
	Part No.
	Material
Date: 04/08/2011	
Drawn By: Hans Thyssen	
Sheet No.	